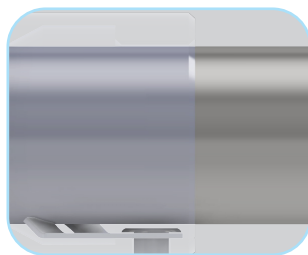
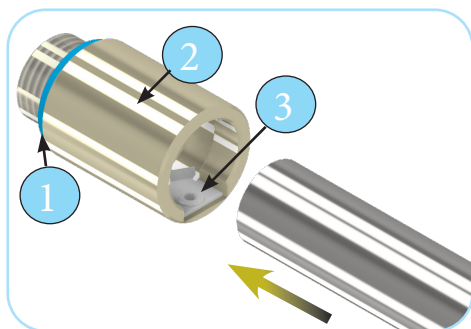


Raccordo ad innesto rapido per tubo rigido filetto maschio fisso INR-M

Quick coupling with fixed male thread for rigid pipe INR-M

EURO 2000



Dettagli di costruzione / Construction Details:		
N°	Nome / Part Name	Materiale / Material
1	Guarnizione IP / IP gasket	TPE-S
2	Corpo ad innesto rapido Quick coupling Body	Ottone / Brass X / XX
3	Molla autobloccante Self block spring	AISI 304 Acciaio AISI 304 Stainless Steel

*Ottone è nichelato/ Brass is nickplated
X - Acciaio INOX AISI 304 / Stainless Steel AISI 304
XX - Acciaio INOX AISI 3016L / Stainless Steel AISI 316L

Ottone
Brass

EQ877

AISI 304
AISI 316L

CA02.05590

RIA

ELE063822CS

Settori di Impiego / Areas of application

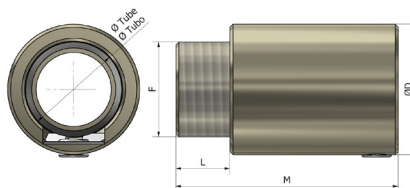
DESCRIZIONE / DESCRIPTION

Raccordi ad innesto rapido per il collegamento di un tubo rigido zincato TZR o INOX serie TXR. La molla autobloccante (2), consente l'innesto del corpo del raccordo (1) con una semplice pressione assicurando un'elevata resistenza alla trazione.

Quick coupling with fixed male thread for GALVANIZED rigid TZR or STAINLESS STEEL TXR. The self locking spring (2), allows the coupling of quick coupling body (1) with a simple pressure ensuring an high resistance to traction.

DATI TECNICI / TECHNICAL DATA

Norme di riferimento Reference standards	EN 61386-1, EN 61386-21 IEC 61386-1, IEC 61386-21
Grado di Protezione IP Rating	IP66 / IP67
Temperatura di servizio Service temperature	- 40 °C / +105°C
Resistenza alla corrosione Resistance to corrosion	UNI ISO 9227 DIN 50017SK



Codice Code	Ø Tubo Ø Pipe	Ø Passaggio utile Ø Cable passage	Filetto Thread ISO 965	M	L	D	Confezione Package
Ottone / Brass	mm	mm	F	mm	mm	mm	N° pz.
55016	16,0	12,5	M16*1,5	37,0	9,0	22,0	50
55020	20,0	16,5	M20*1,5	37,0	9,0	26,0	50
55025	25,0	22,0	M25*1,5	37,0	9,0	32,0	25
55032	32,0	28,0	M32*1,5	37,0	9,0	39,0	20
55040	40,0	35,0	M40*1,5	37,0	9,0	47,0	10
55050	50,0	45,0	M50*1,5	37,0	11,0	57,0	5
55063	63,0	57,0	M63*1,5	47,0	11,0	70,0	5

Codice Code	Codice Code	Ø Tubo Ø Pipe	Ø Passaggio utile Ø Cable passage	Filetto Thread ISO 965	M	L	D
AISI 304	AISI 316L	mm	mm	F	mm	mm	mm
55016X*	55016XX*	16,0	12,5	M16*1,5	37,0	9,0	22,0
55020X*	55020XX*	20,0	16,5	M20*1,5	37,0	9,0	26,0
55025X*	55025XX*	25,0	22,0	M25*1,5	37,0	9,0	32,0
55032X*	55032XX*	32,0	28,0	M32*1,5	37,0	9,0	39,0
55040X*	55040XX*	40,0	35,0	M40*1,5	37,0	9,0	47,0
55050X*	55050XX*	50,0	45,0	M50*1,5	37,0	11,0	57,0
55063X*	55063XX*	63,0	57,0	M63*1,5	47,0	11,0	70,0

* Consegna in 20 giorni lavorativi su quantità minima / Delivery in 20 working days on minimum quantity

