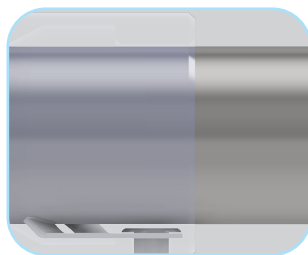
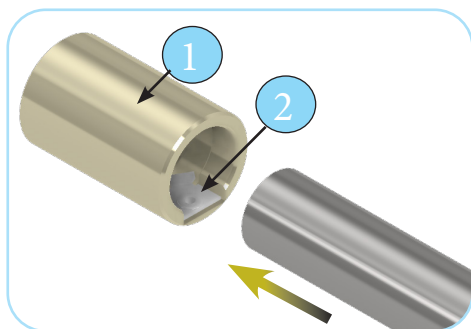


# Raccordo ad innesto rapido per tubo rigido filetto femmina fisso INR-F

## Quick coupling with fixed female thread for rigid pipe INR-F

# EURO 2000



### Dettagli di costruzione / Construction Details:

N°	Nome / Part Name	Materiale / Material
1	Corpo ad innesto rapido Quick coupling Body	Ottone / Brass X / XX
2	Molla autobloccante Self block spring	AISI 304 Acciaio AISI 304 Stainless Steel

\*Ottone è nichelato/ Brass is nickplated  
X - Acciaio INOX AISI 304 / Stainless Steel AISI 304  
XX - Acciaio INOX AISI 3016L / Stainless Steel AISI 316L

Ottone  
Brass



AISI 304  
AISI 316L



**RIA**

ELE063822CS

### Settori di Impiego / Areas of application



## DESCRIZIONE / DESCRIPTION

Raccordi ad innesto rapido per il collegamento di un tubo rigido zincato TZR o INOX serie TXR. La molla autobloccante (2), consente l'innesto del corpo del raccordo (1) con una semplice pressione assicurando un'elevata resistenza alla trazione.

Quick coupling with fixed female thread for GALVANIZED rigid TZR or STAINLESS STEEL TXR. The self locking spring (2), allows the coupling of quick coupling body (1) with a simple pressure ensuring an high resistance to traction.

## DATI TECNICI / TECHNICAL DATA

Norme di riferimento  
Reference standards

EN 61386-1, EN 61386-21  
IEC 61386-1, IEC 61386-21

Grado di Protezione  
IP Rating

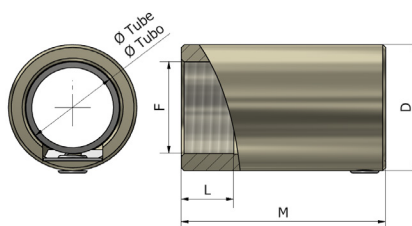
IP66 / IP67

Temperatura di servizio  
Service temperature

- 40 °C / +105°C

Resistenza alla corrosione  
Resistance to corrosion

UNI ISO 9227  
DIN 50017SK



Codice Code	Ø Tubo Ø Pipe	Ø Passaggio utile Ø Cable passage	Filetto Thread ISO 965	M	L	D	Confezione Package
Ottone / Brass	mm	mm	F	mm	mm	mm	N° pz.
56016	16,0	12,5	M16*1,5	35,0	9,0	22,0	50
56020	20,0	16,5	M20*1,5	35,0	9,0	26,0	50
56025	25,0	22,0	M25*1,5	35,0	9,0	32,0	25
56032	32,0	28,0	M32*1,5	35,0	9,0	39,0	20
56040	40,0	35,0	M40*1,5	35,0	9,0	47,0	10
56050	50,0	45,0	M50*1,5	35,0	9,0	57,0	5
56063	63,0	57,0	M63*1,5	45,0	9,0	70,0	5

Codice Code	Codice Code	Ø Tubo Ø Pipe	Ø Passaggio utile Ø Cable passage	Filetto Thread ISO 965	M	L	D
AISI 304	AISI 316L	mm	mm	F	mm	mm	mm
56016X*	56016XX*	16,0	12,5	M16*1,5	35,0	9,0	22,0
56020X*	56020XX*	20,0	16,5	M20*1,5	35,0	9,0	26,0
56025X*	56025XX*	25,0	22,0	M25*1,5	35,0	9,0	32,0
56032X*	56032XX*	32,0	28,0	M32*1,5	35,0	9,0	39,0
56040X*	56040XX*	40,0	35,0	M40*1,5	35,0	9,0	47,0
56050X*	56050XX*	50,0	45,0	M50*1,5	35,0	9,0	57,0
56063X*	56063XX*	63,0	57,0	M63*1,5	45,0	9,0	70,0

\* Consegna in 20 giorni lavorativi su quantità minima / Delivery in 20 working days on minimum quantity



Euro2000 SPA, Via dell' Artigianato, 27, 20083 Vigano MI, Italy.  
+39 (02) 9084 3076, +39 (02) 9084 1808  
info@euro2000-spa.it / website:www.euro2000-spa.it