

PA CF 90° Conduit Flange 90° Elbow

EURO 2000



NFPA
130

HALOGEN
FREE



Areas of application



DESCRIPTION

The 90° elbow cable protection conduit flange PA CF 90°, is made of specially modified, halogen-free polyamide 6. The material is self-extinguishing and resistant against most chemical media commonly used. Due to its excellent UV-resistance, PA CF 90° is also perfectly suitable for outdoor installations. Thanks to the considered seals for the corrugated conduit side and the flange surface in conjunction with the included locking clamps, the connection between the PA CF 90° conduit flange and our FIPLOCK® corrugated conduits, starting from nominal width 56, achieve the highest possible ingress protection class IP69. Easy and safe installation for outstanding connection strength when used with heavy cables and cable bundles.

TECHNICAL SPECIFICATION

Different performances	Characteristics	Unit	Standards, Specifications	Remark
Application performances				
Temperature range	-50 bis / to +120 -58 bis / to +248	°C °F	IS FIP	-
Temperature (short-term)	150 (500 h); 160 (100 h) 302 (500 h); 320 (100 h)	°C °F	IS FIP	-
System tightness				
IP rating	IP66/IP67/IP68/IP69 (IP69K)	-	IEC EN 60529	-
Fire safety performances				
Free from halogens and cadmium	Yes	-	-	-
Fire classification	V0	-	UL 94	-
Fire characteristic of the product	self-extinguishing	-	UL 1696	-
Oxygen index	>32	%	EN ISO 4589-2	-
Glow wire test	960 1760	°C °F	IEC 60695	-
Fire hazardous level	HL3 R22 / 23	-	EN45545-2	-
Flame Spread Index	compliant		ASTM E162	NFPA 130
Smoke Density	compliant		ASTM E662	NFPA 130
Smoke Toxicity	compliant		BSS 7239/SMP 800-C	
Heat Release (Enthalpy)	19,4 (8265)	MJ/kg (BTU/lb)	ASTM E1354	50 kW/m2 heat flux
Spread of fire	non flame propagating	-	IEC EN 61386	-
Weathering performances				
UV and weathering performance	excellent	-	IS FIP	up to 40 years

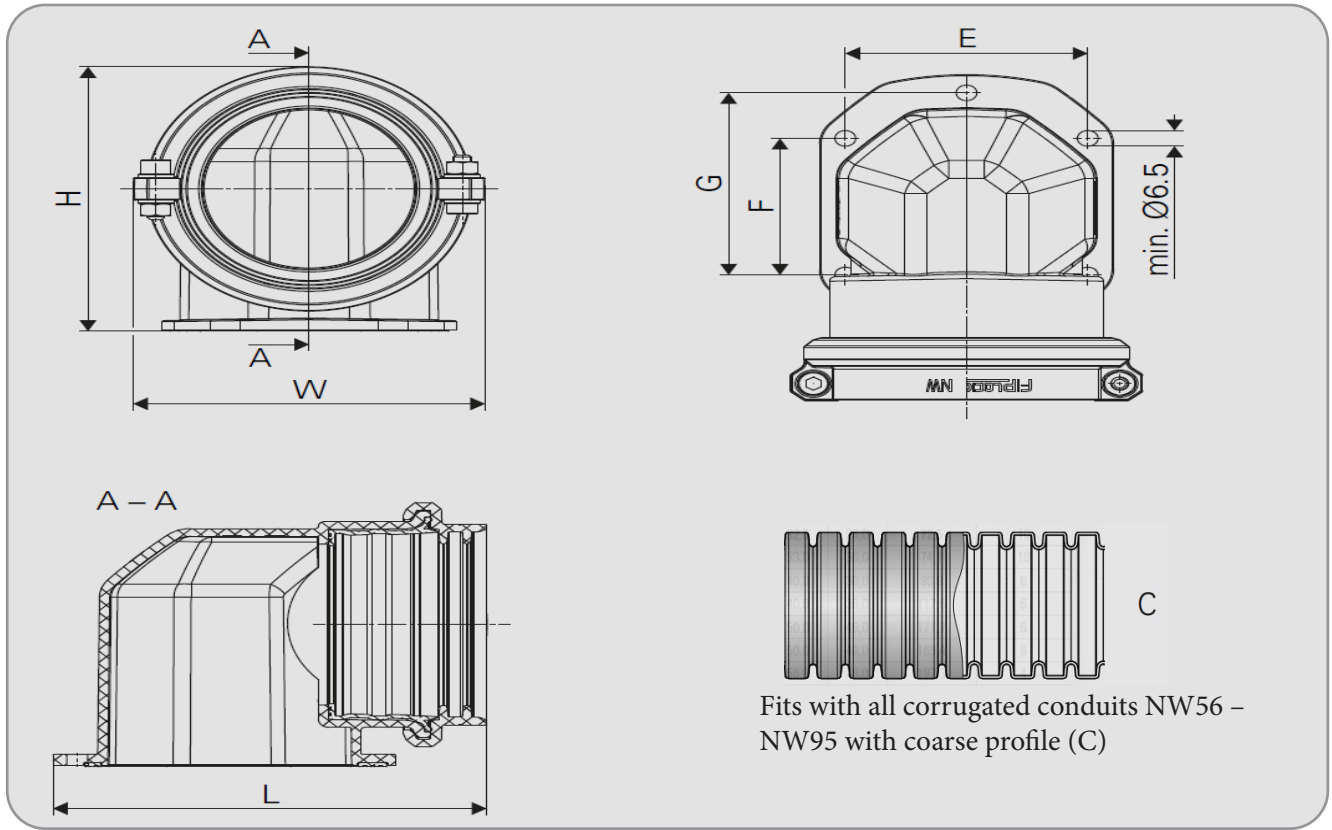


Euro2000 SPA, Via dell' Artigianato, 27, 20083 Vigano MI, Italy.

+39 (02) 9084 3076, +39 (02) 9084 1808

info@euro2000-spa.it / website: www.euro2000-spa.it

PA CF 90° Conduit Flange 90° Elbow



FAMILY CODE	Code		Nominal width	Profile	Dimensions in mm						Weight	Pack
	Code Black	Code Grey	NW		H	W	L	E	F	G	g	Pcs
PA CF 90° / JWPA	P18056B	P18056G	56	C	105,6	102,7	122,7	66,0	60,0	–	198,2	2
	P18070B	P18070G	70	C	116,2	116,1	143,2	80,0	60,0	80,0	245,8	2
	P18095B	P18095G	95	C	145,1	142,8	175,7	108,0	74,0	102,5	354,8	2

