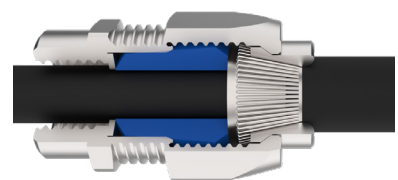
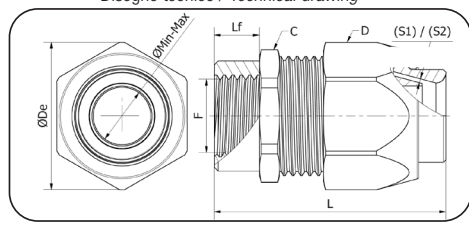


PF-SA

Pressacavo singola tenuta per cavo armato con filetto femmina fisso
Single tightening cable gland for armoured cable with fixed female thread



Disegno tecnico / Technical drawing



Settori di Impiego / Areas of application



Pressacavo tipo / Cable glands type

SIZE ID	Filetto cilindrico / Cylindrical thread					Spessore cavo range (mm) Armoured thickness range (mm)		L (mm)	øDe (mm)	Esagono Hexagon		Rif. Ref.	Cavo interno (Gommino di tenuta) Inner cable (Sealing rubber)		Conf. Pack.
	Codice Code	Filetto Thread Gas ISO 228	Codice Code	Filetto Thread Metric ISO 965-1	Lf mm filetto Thread GAS ISO 228 ISO 965-1	S1	S2			C	D		ø min-max	N° Pz	
A2	Ex46741	GAS 3/8"	Ex46701	M16x1,5	10,0	0 - 0,8	43	29	24	26	A B C	5,0 - 7,0 7,0 - 9,0 9,5 - 11,5	5		
A3	Ex46742	GAS 1/2"	Ex46702	M20x1,5	10,0	0 - 0,8	45	32,5	27	29	A B C	5,5 - 8,0 8,0 - 10,5 10,5 - 13,0	5		
A4	Ex46743	GAS 3/4"	Ex46703	M25x1,5	10,0	0 - 0,8	46	38,5	33	35	A B C	10,5 - 13,0 13,0 - 15,5 15,5 - 18,0	3		
A5	Ex46744	GAS 1"	Ex46704	M32x1,5	12,0	0 - 0,8	55	49,5	43	45	A B C	15,5 - 18,0 18,0 - 20,5 20,5 - 23,0	3		
A6	Ex46745	GAS 1" 1/4	Ex46705	M40x1,5	12,0	0 - 1,25	66	60	52	54	A B C D	21,0 - 24,0 24,0 - 27,0 27,0 - 30,0 30,0 - 33,0	1		
A7	Ex46746	GAS 1" 1/2	Ex46706	M50x1,5	14,0	0 - 1,25	75	69	60	62	A B C	27,0 - 30,0 30,0 - 33,0 33,0 - 36,0	1		
A8	Ex46747	GAS 2"	Ex46707	M63x1,5	14,0	0 - 1,25	85	89	75	80	A B C	36,0 - 39,0 39,0 - 42,0 42,0 - 45,0	1		

Maximum length of cable gland (L) is assembled with S1 or S2 male cone with maximum armoured thickness
La lunghezza massima del pressacavo (L) è assemblato con cono maschio S1 o S2 con spessore massimo dell'armatura

Dettagli pressacavi / Cable glands details

Tipo di certificazioni Certification type	Organismo di notifica Notification body	Gruppo di dispositivi Device Group	ATEX Categorie ATEX Category	Esecuzioni Execution	EPL	Grado IP IP Rating	Norme di riferimento Reference norms	Tipo di cavo Cable type	EMC Compatibilità compatibility	Zone Zona	Disponibile ingresso filetto Available thread entry	Temperatura di esercizio Operating temperature
IECEx	-	II	2G	Ex eb IIC	Gb	IP66 / IP67	IEC 60079-0, IEC 60079-7, IEC 60079-15, IEC 60079-31	Armato Armoured	Sì YES	1 zone	ISO 965-1, GAS ISO 228, ISO 7/1, NPT ANSI/ASME B1.20.1	-35°C +85°C
				Ex nR IIC	Gc	IP68 (0.5bar, 30 min)				2 zone		
				Ex tb IIIC	Db	IP 6X 20 mbar				21 zone		
Ex	0051	II	3G	Ex eb IIC	Gb	P66 / IP67	EN IEC 60079-0, EN IEC 60079-7, EN IEC 60079-15, EN IEC 60079-31	Armato Armoured	Sì YES	22 zone	ISO 965-1, GAS ISO 228, ISO 7/1, NPT ANSI/ASME B1.20.1	-35°C +85°C
				Ex nR IIC	Gc	IP68 (0.5bar, 30 min)				21 zone		
				Ex tb IIIC	Db	IP 6X 20 mbar				22 zone		

Esempio di marcatura pressacavo Ex / Example of Ex cable gland marking

IECEx IMQ 24.0004X IMQ 24 ATEX 012 X (eb,tb) IMQ 24 ATEX 013 X (nR) PF-SAA2 - Ex46701 A M16x1.5
CE Ex 0051 II 2GD Ex eb IIC Gb Ex tb IIIC Db || II 3G Ex nR IIC Gc -35/+85 °C IP66/68



Ex Apparecchiatura

Ex Equipment

scarica le istruzioni di montaggio
download assembly instructions



Dettagli di costruzione / Construction Details:

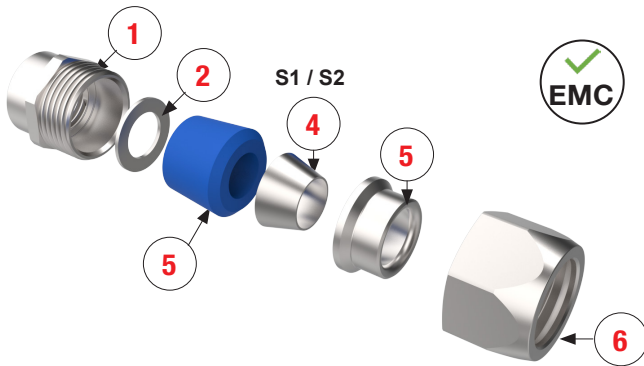
N°	Nome / Part Name	Materiale / Material
1	Corpo / Body	Ottone nichelato / Brass nickel plated
2	Rondella di uscita / End washer	Ottone nichelato / Brass nickel plated
3	Gommino di tenuta / Sealing rubber	EPDM
4	Cono maschio / Male cone	Ottone nichelato / Brass nickel plated

N°	Nome / Part Name	Materiale / Material
5	Cono femmina / female cone	Ottone nichelato / Brass nickel plated
6	Dado / Nut	Ottone nichelato / Brass nickel plated

PF-SA



Pressacavo singola tenuta per cavo armato con filetto femmina fisso con una gommino di tenuta
Single tightening cable gland for armoured cable with fixed female thread with one sealing rubber



ESEMPIO D'ORDINE / EXAMPLE ORDERING

Codice d'ordinazione
Ordering code
Ex46701A

Product code
Codice prodotto

A / B / C / D = Select one sealing rubber inclusive male cones (S1 and S2)
/ Selezionare una gommino di tenuta comprensivo coni maschi (S1 e S2)

Pressacavo tipo / Cable glands type

Gommino di tenuta / Sealing rubber									
SIZE ID	Codice Code		Cavi Cables	Conf. Pack.	SIZE ID	Codice Code		Cavi Cables	Conf. Pack.
			ø Min-Max	N° Pz				ø Min-Max	N° Pz
A2	Ex34202	A	5,0 - 7,0	10	A6	Ex34306	A	21,0 - 24,0	5
	Ex34102	B	7,0 - 9,0			Ex34106	B	24,0 - 27,0	
	Ex34002	C	9,5 - 11,5			Ex34206	C	27,0 - 30,0	
	-	-	-			Ex34006	D	30,0 - 33,0	
A3	Ex34203	A	5,5 - 8,0	10	A7	Ex34207	A	27,0 - 30,0	5
	Ex34103	B	8,0 - 10,5			Ex34107	B	30,0 - 33,0	
	Ex34003	C	10,5 - 13,0			Ex34007	C	33,0 - 36,0	
A4	Ex34204	A	10,5 - 13,0	8	A8	Ex34208	A	36,0 - 39,0	5
	Ex34104	B	13,0 - 15,5			Ex34108	B	39,0 - 42,0	
	Ex34004	C	15,5 - 18,0			Ex34308	C	42,0 - 45,0	
A5	Ex34205	A	15,5 - 18,0	8	-	-	-	-	-
	Ex34105	B	18,0 - 20,5		-	-	-	-	-
	Ex34005	C	20,5 - 23,0		-	-	-	-	-