

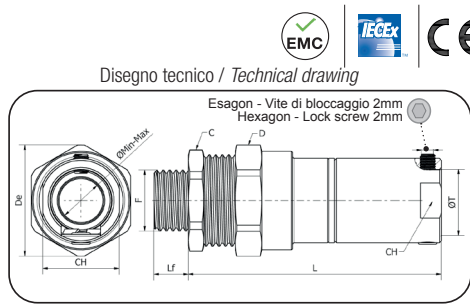
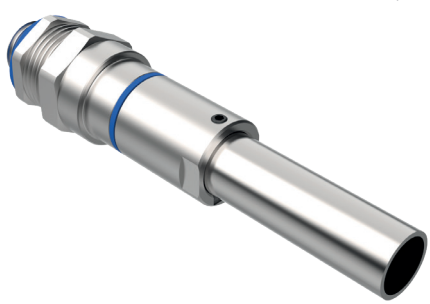
NEW

EURO 2000

Tubi rigidi in acciaio TZR-TXR / Rigid steel conduit TZR-TXR

INR TPM-N

Raccordo innesto rapido pressacavo per tubo rigido maschio fisso per cavo non armato
Quick coupling cable gland for non-armoured cable with fixed male thread for rigid pipe



Settori di Impiego / Areas of application

| SIZE ID | Filetto conico / Taper thread | | | | | Filetto cilindrico / Cylindrical thread | | | | | L mm | ØDe mm | Tubo Tube (mm) | Esagono Hexagon (mm) | | Chiave parallela Parallel Key CH (mm) | Gommino di tenuta Sealing rubber | Cavi Cables | | Conf. Pack. | | | | | |
|---------|-------------------------------|--------------------|-------------|------------------------|------------------------------------|---|----------------------------|-------------|----------------------------------|--|------|--------|----------------|----------------------|----|---------------------------------------|----------------------------------|-------------|---|-------------|-------------|-------------|---|-----------|-------|
| | Codice Code | Filetto Thread NPT | Codice Code | Filetto Thread ISO 7/1 | Lf (mm) filetto Thread NPT ISO 7/1 | Codice Code | Filetto Thread GAS ISO 228 | Codice Code | Filetto Thread Metrico ISO 965-1 | Lf (mm) filetto Thread GAS ISO 228 ISO 965-1 | | | | ØT | C | | | D | A | | B | C | D | Ø Min-Max | N° Pz |
| | | | | | | | | | | | | | | | | | | | | | | | | | |
| A2 | Ex59421 | NPT 3/8 | Ex59321 | R 3/8" | 11,5 | Ex59441 | GAS 3/8" | Ex59342 | M16x1,5 | 9,0 | 67 | 29 | 16,0 | 24 | 26 | 20 | A | B | C | 5,0 - 7,0 | 7,0 - 9,0 | 9,5 - 11,5 | 5 | | |
| A3 | Ex59422 | NPT 1/2 | Ex59322 | R 1/2" | 15,0 | Ex59442 | GAS 1/2" | Ex59343 | M20x1,5 | 9,0 | 68 | 32,5 | 20,0 | 27 | 29 | 24 | A | B | C | 5,5 - 8,0 | 8,0 - 10,5 | 10,5 - 13,0 | 5 | | |
| A4 | Ex59423 | NPT 3/4 | Ex59323 | R 3/4" | 15,0 | Ex59443 | GAS 3/4" | Ex59344 | M25x1,5 | 9,0 | 68 | 38,5 | 25,0 | 33 | 35 | 30 | A | B | C | 10,5 - 13,0 | 13,0 - 15,5 | 15,5 - 18,0 | 3 | | |
| A5 | Ex59424 | NPT 1" | Ex59324 | R 1" | 19,0 | Ex59444 | GAS 1" | Ex59345 | M32x1,5 | 11,0 | 75 | 49,5 | 32,0 | 42 | 45 | 37 | A | B | C | 15,5 - 18,0 | 18,0 - 20,5 | 20,5 - 23,0 | 3 | | |
| A6 | Ex59425 | NPT 1" 1/4 | Ex59325 | R 1" 1/4 | 21,0 | Ex59445 | GAS 1" 1/4 | Ex59346 | M40x1,5 | 11,0 | 81 | 60 | 40,0 | 52 | 54 | 45 | A | B | C | 21,0 - 24,0 | 24,0 - 27,0 | 27,0 - 30,0 | 1 | | |
| A7 | Ex59426 | NPT 1" 1/2 | Ex59326 | R 1" 1/2 | 21,0 | Ex59446 | GAS 1" 1/2 | Ex59347 | M50x1,5 | 14,0 | 86 | 69 | 50,0 | 60 | 62 | 55 | A | B | C | 27,0 - 30,0 | 30,0 - 33,0 | 33,0 - 36,0 | 1 | | |
| A8 | Ex59427 | NPT 2" | Ex59327 | R 2" | 23,0 | Ex59447 | GAS 2" | Ex59348 | M63x1,5 | 14,0 | 105 | 89 | 63,0 | 75 | 80 | 68 | A | B | C | 36,0 - 39,0 | 39,0 - 42,0 | 42,0 - 45,0 | 1 | | |
| | | | | | | | | | | | | | | | | | A | B | C | 46,5 - 49,5 | | | | | |

Dettagli pressacavi / Cable glands details

| Tipo di certificazioni Certification type | Organismo di notifica Notification body | Gruppo di dispositivi Device Group | ATEX Categorioe ATEX Category | Esecuzioni Execution | EPL | Grado IP IP Rating | Norme di riferimento Reference norms | Tipo di cavo Cable type | Zone | Disponibile ingresso filetto Available thread entry | Temperatura di esercizio Operating temperature | |
|---|---|------------------------------------|-------------------------------|----------------------|-----|-----------------------|--|-------------------------|---------|--|--|-------|
| | - | - | - | Ex eb IIC | Gb | IP66 / IP67 | IEC 60079-0, IEC 60079-7, IEC 60079-15, IEC 60079-31 | Non armato Non armoured | 1 zone | ISO 965-1, GAS ISO 228, ISO 7/1, NPT ANSI/ASME B1.20.1 | -35°C | |
| | | | | Ex nR IIC | Gc | IP68 (0.5bar, 30 min) | | | 2 zone | | | +85°C |
| | | | | Ex tb IIIC | Db | IP 6X 20 mbar | | | 21 zone | | | |
| | - | II | 2G | Ex eb IIC | Gb | IP66 / IP67 | EN IEC 60079-0, EN IEC 60079-7, EN IEC 60079-15, EN IEC 60079-31 | Non armato Non armoured | 22 zone | | | |
| | | | | Ex nR IIC | Gc | IP68 (0.5bar, 30 min) | | | | | | |
| | | | | Ex tb IIIC | Db | IP 6X 20 mbar | | | | | | |

Esempio di marcatura pressacavo Ex / Example of Ex cable gland marking

IECEx IMQ 24.0004X IMQ 24 ATEX 012 X (eb,tb) IMQ 24 ATEX 013 X (nR) INR TPM-N A2 Ex59342AEM M16x1.5
 0051 II 2GD Ex eb IIC Gb Ex tb IIIC Db | II 3G Ex nR IIC Gc -35/+85 °C IP66/68

EURO 2000

INR TPM-N

IECEx

Pressacavo tipo / Cable glands type

Ex Apparecchiatura

Ex Equipment

scarica le istruzioni di montaggio
download assembly instructions



Dettagli di costruzione / Construction Details:

| N° | Nome / Part Name | Materiale / Material |
|----|---|--|
| 1 | Corpo / Body | Ottone nichelato / Brass nickel plated |
| 2 | Rondella di uscita / End washer * | Ottone nichelato / Brass nickel plated |
| 3 | Gommino di tenuta / Sealing rubber | EPDM |
| 4 | Rondella d'ingresso / Entry washer | Ottone nichelato / Brass nickel plated |
| 5 | Testina filettata / Threaded head | Ottone nichelato / Brass nickel plated |
| 6 | Guarnizione piatta IP / IP Flat gasket ** | TPM |

| N° | Nome / Part Name | Materiale / Material |
|----|--|---|
| 7 | Guarnizione piatta IP / IP Flat gasket | TPM |
| 8 | Raccordo ad innesto rapido Quick coupling fitting | Ottone nichelato / Brass nickel plated |
| 9 | Vite di blocco / Lock Screw | Acciaio INOX 316L / Stainless steel 316L |
| 10 | Molla autobloccante / Self block spring | Acciaio INOX AISI 304 Stainless Steel AISI 304 |
| 11 | Morsetto EMC / EMC clasper | Ottone / Brass |

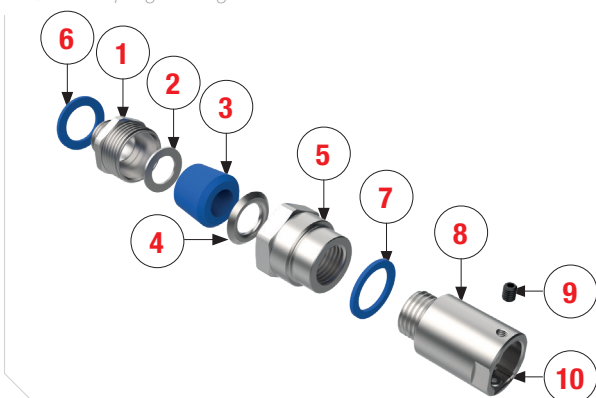
* Le seguenti voci della filettatura non richiedono la rondella di uscita in base alla costruzione
Following thread entries does not require end washer based on construction

SIZE ID (A7): NPT 1"1/2, R 1"1/2, GAS 1"1/2, M50x1.5

SIZE ID (A8): NPT 2", R 2", GAS 2", M63x1.5

** Solo per filettatura cilindrica / Only for cylindrical thread

Raccordo innesto rapido pressacavo per tubo rigido maschio fisso per cavo non armato
Quick coupling cable gland for non-armoured cable with fixed male thread for rigid pipe



ESEMPIO D'ORDINE / EXAMPLE ORDERING

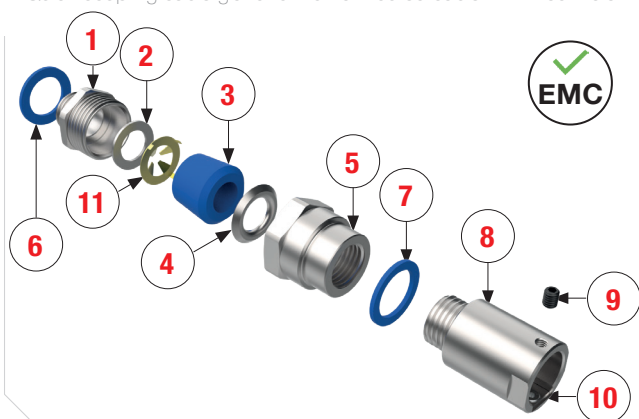
Ex59342 A

Product code Codice prodotto

Codice d'ordinazione
Ordering code
Ex59342A

A / B / C / D = Select one sealing rubber
Selezionare una gommino di tenuta

Raccordo innesto rapido pressacavo per tubo rigido maschio fisso per cavo non armato con compatibilità EMC
Quick coupling cable gland for non-armoured cable with fixed male thread for rigid pipe with EMC compatibility



ESEMPIO D'ORDINE / EXAMPLE ORDERING

Ex59342 A EM

Product code Codice prodotto

Codice d'ordinazione
Ordering code
Ex59342AEM

EM = EMC for non-armoured cable glands
EMC per pressacavi non armati

A / B / C / D = Select one sealing rubber
Selezionare una gommino di tenuta

| Controdado / Locknut | | | | | | |
|----------------------|----------------------------|-------------|----------------------------------|------------------------|-----------------|-------------------|
| Codice Code | Filetto Thread GAS ISO 228 | Codice Code | Filetto Thread Metrico ISO 965-1 | S (mm) Spessore Thread | Esagono Hexagon | Conf. Pack. N° Pz |
| 60302 | GAS 3/8" | 60321 | M16 x 1,5 | 4 | 21 | 100 |
| 60303 | GAS 1/2" | 60322 | M20 x 1,5 | 4 | 25 | 100 |
| 60304 | GAS 3/4" | 60323 | M25 x 1,5 | 4 | 30 | 50 |
| 60305 | GAS 1" | 60324 | M32 x 1,5 | 5 | 37 | 50 |
| 60306 | GAS 1"1/4 | 60325 | M40 x 1,5 | 5 | 45 | 25 |
| - | - | 60326 | M50 x 1,5 | 6 | 55 | 25 |
| 60307 | GAS 1"1/2 | - | - | 5 | 52 | 25 |
| 60308 | GAS 2" | - | - | 6 | 65 | 10 |
| - | - | 60327 | M63 x 1,5 | 6 | 69 | 10 |

| Gommino di tenuta / Sealing rubber | | | | | | | | | |
|------------------------------------|-------------|-------------|-------------------|---------|-------------|-------------|-------------------|-----------|-----------|
| SIZE ID | Codice Code | Cavi Cables | Conf. Pack. N° Pz | SIZE ID | Codice Code | Cavi Cables | Conf. Pack. N° Pz | | |
| | | | | | | | | ø Min-Max | ø Min-Max |
| A2 | Ex34202 | A | 5,0 - 7,0 | A6 | Ex34306 | A | 21,0 - 24,0 | 5 | |
| | Ex34102 | B | 7,0 - 9,0 | | Ex34106 | B | 24,0 - 27,0 | | |
| | Ex34002 | C | 9,5 - 11,5 | | Ex34206 | C | 27,0 - 30,0 | | |
| | - | - | - | | Ex34006 | D | 30,0 - 33,0 | | |
| A3 | Ex34203 | A | 5,5 - 8,0 | A7 | Ex34207 | A | 27,0 - 30,0 | 5 | |
| | Ex34103 | B | 8,0 - 10,5 | | Ex34107 | B | 30,0 - 33,0 | | |
| | Ex34003 | C | 10,5 - 13,0 | | Ex34007 | C | 33,0 - 36,0 | | |
| A4 | Ex34204 | A | 10,5 - 13,0 | A8 | Ex34208 | A | 36,0 - 39,0 | 5 | |
| | Ex34104 | B | 13,0 - 15,5 | | Ex34108 | B | 39,0 - 42,0 | | |
| | Ex34004 | C | 15,5 - 18,0 | | Ex34308 | C | 42,0 - 45,0 | | |
| | - | - | - | | Ex34008 | D | 46,5 - 49,5 | | |
| A5 | Ex34205 | A | 15,5 - 18,0 | - | - | - | - | - | |
| | Ex34105 | B | 18,0 - 20,5 | - | - | - | - | - | |
| | Ex34005 | C | 20,5 - 23,0 | - | - | - | - | - | |

Pressacavo tipo / Cable glands type

INR TPM-N

