

PA HS System Support Stackable

EURO 2000



NFPA
130

HALOGEN
FREE



Areas of application



DESCRIPTION

The FIPLock® system support PA HS is a rugged and stackable corrugated conduit mounting clamp made of specially modified, halogen-free PA6. The applicable cover can be re-opened and guarantees high stability and rigidity, especially in stacked arrangement. This clamps allow rotation of the FIPLock® corrugated conduit in fine or coarse profile when installed, and optimally fixes the conduits in the axial direction

TECHNICAL SPECIFICATION

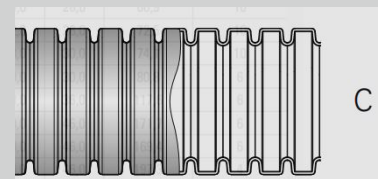
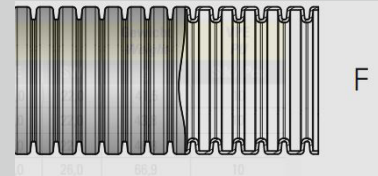
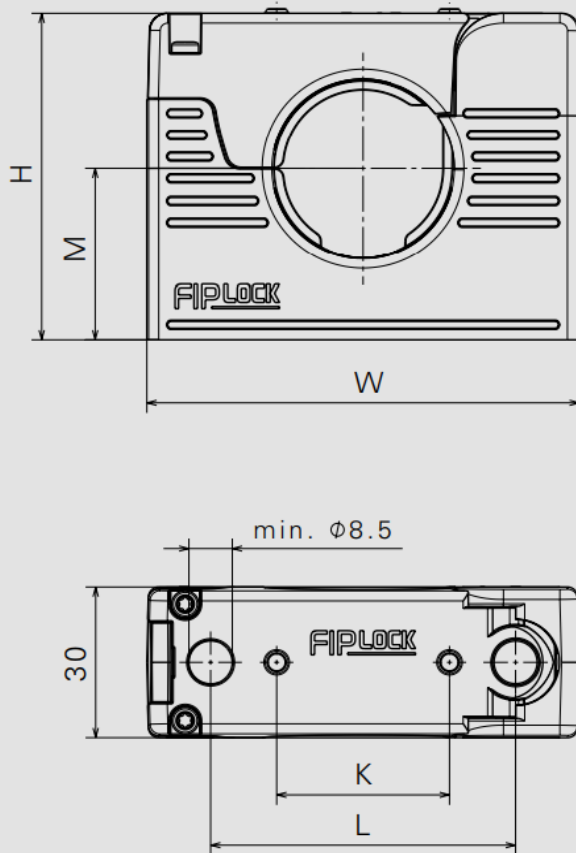
| Different performances | Characteristics | Unit | Standards, Specifications | Remark |
|------------------------------------|--|----------|---------------------------|----------------|
| Application performances | | | | |
| Temperature range | -50 bis / to +120 -58 bis / to +248 | °C °F | IS FIP | - |
| Temperature (short-term) | 150 (500 h); 160 (100 h) 302 (500 h); 320 (100 h) | °C °F | IS FIP | - |
| Fire safety performances | | | | |
| Free from halogens and cadmium | Yes | - | - | - |
| Fire classification | V0 | - | UL 94 | - |
| Fire characteristic of the product | self-extinguishing | - | UL 1696 | - |
| Oxygen index | >32 | % | EN ISO 4589-2 | - |
| Glow wire test | 960 1760 | °C °F | IEC 60695 | - |
| Fire hazardous level | HL3 R22 | - | EN45545-2 | - |
| Spread of fire | non flame propagating | - | IEC EN 61386 | - |
| Weathering performances | | | | |
| UV and weathering performance | excellent | - | IS FIP | up to 40 years |



Euro2000 SPA, Via dell' Artigianato, 27, 20083 Vigano MI, Italy.

+39 (02) 9084 3076, +39 (02) 9084 1808

info@euro2000-spa.it / website: www.euro2000-spa.it



Fits with all corrugated conduits NW07 – NW48 with fine (F) and coarse profile (C).
 Fine profile F - Tight bending radius
 Coarse profile C - High pull-out strength

| CODICE FAMIGLIA | Code | Nominal width | Profile | Dimensions in mm | | | | | | Weight | Pack. | Temperature Range | |
|-----------------|---------|---------------|---------|------------------|-------|------|------|------|------|--------|-------|-------------------|---------|
| | | NW | | H | W | M | K | L | ID | gram | N°Pz | | |
| PA HS / BSPA | P20117B | 17 | F/C | 51,0 | 70,0 | 29,0 | 22,0 | 45,0 | 18,5 | 63,6 | 10 | -50°C | + 120°C |
| | P20123B | 23 | F/C | 51,0 | 70,0 | 31,0 | 22,0 | 45,0 | 25,4 | 59,5 | 6 | | |
| | P20129B | 29 | F/C | 65,0 | 85,0 | 34,0 | 34,0 | 60,0 | 31,4 | 90,3 | 6 | | |
| | P20136B | 36 | F/C | 65,0 | 85,0 | 36,0 | 34,0 | 60,0 | 37,7 | 83,3 | 4 | | |
| | P20148B | 48 | F/C | 92,5 | 115,0 | 48,0 | 54,0 | 90,0 | 50,7 | 160,3 | 4 | | |
| | P20156B | 56 | C | 92,5 | 115,0 | 50,5 | 54,0 | 90,0 | 61,0 | 143,7 | 4 | | |