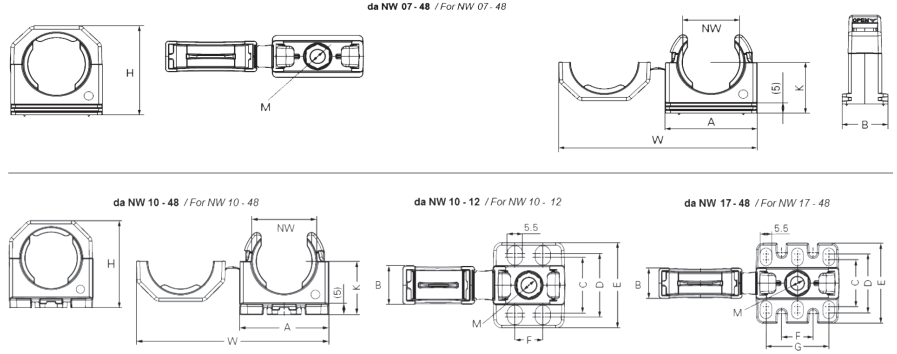


Fissatubi Conduit-clips



Raccordi tipo / Fittings type

Fissatubi

Settori di Impiego / Areas of application



Caratteristiche / Characteristics:

Collari fissatubi mono pezzo realizzati in poliammide (PA6) a bassa emissione di fumi e privo di alogeni, zolfo e fosforo in conformità con le norme CEI EN 61386-2-3 e autoestinguenti secondo le norme UL94. Anti-vibrazione e resistenti alle manomissioni, sono adattabili sia per guaine a passo fine sia per guaine a passo grosso. Presentano una notevole facilità di montaggio grazie ad una sola vite centrale.

One-piece conduit-clips manufactured in polyamide (PA66) halogen, sulphur, phosphorus free and with low smokes emission in compliance with the norms CEI EN 61386-2-3 and self-extinguishing according to the norms UL94. Anti-vibration and tamper-proof, they are suitable both for fine and gross coarse profile conduits. They display an excellent usage simplicity thanks to a single central screw.

Fissatubo con chiusura integrale / Nylon Conduit-clip with integrated closing

FIPSPLIT®	Codice Code	ø Tubo Nominale NW Pipe Nominal ø NW mm	Misure in mm Dimension in mm						Confezione Package N° Pz
			A	B	M	H	K	W	
COPA CLIPS SERIES	P64107	7	19,5	20,0	4,0	22,0	14,0	45,3	10
	P64110	10	22,0	20,0	5,0	25,0	16,0	50,3	10
	P64112	12	26,0	20,0	5,0	27,0	16,5	68,3	10
	P64117	17	33,0	20,0	6,0	34,0	20,0	72,3	10
	P64123	23	40,0	20,0	6,0	42,0	24,0	86,3	6
	P64129	29	46,5	20,0	6,0	48,0	27,0	99,3	6
	P64136	36	55,0	20,0	6,0	56,0	31,0	116,3	4
	P64148	48	67,0	20,0	6,0	68,0	37,0	140,3	4

Fissatubo con chiusura integrale e piedino / Nylon Conduit-clip with integrated closing and basement

FIPSPLIT®	Codice Code	ø Tubo Nominale NW Pipe Nominal ø NW mm	Misure in mm Dimension in mm												Confezione Package N° Pz
			A	B	C	D	E	F	G	M	H	K	W		
COPA-01 CLIPS SERIES	P64510	10	22,0	14,0	20,0	23,0	31,0	-	10,0	5,0	25,0	16,0	50,3	10	
	P64512	12	26,0	14,0	20,0	23,0	31,0	-	10,0	5,0	27,0	16,5	58,3	10	
	P64517	17	35,5	14,0	20,0	27,0	36,0	12,5	25,0	6,0	34,0	20,0	73,5	10	
	P64523	23	40,0	14,7	22,5	28,5	38,5	15,0	30,0	6,0	42,0	24,0	86,3	6	
	P64529	29	46,5	14,7	22,5	29,5	40,0	17,5	35,0	6,0	48,0	27,0	99,3	6	
	P64536	36	55,0	14,7	24,5	49,5	60,0	20,0	40,0	6,0	56,0	31,0	116,3	4	
	P64548	48	67,0	14,7	24,5	49,5	60,0	22,5	45,0	6,0	68,0	37,0	140,3	4	

Colore standard NERO. Per ordinare il GRIGIO, aggiungere G al codice articolo / Standard Colour BLACK. To order GREY colour, add G to the item code