

PA FXC Corrugated Conduit Clamp with Double Lug, Fixing Rib

EURO 2000



NFPA
130

HALOGEN
FREE



Areas of application



DESCRIPTION

FIPLOCK® PA FXC is a corrugated conduit clamp with lug and can be used to fix our FIPLOCK® corrugated conduits in fine and coarse profiles in sizes NW07 - NW29. The internal rib engages positively with the corrugated conduit and offers optimal fixation in the axial direction. The parts made from specially modified polyamide 6 are flame-retardant and corrosion-free.

TECHNICAL SPECIFICATION

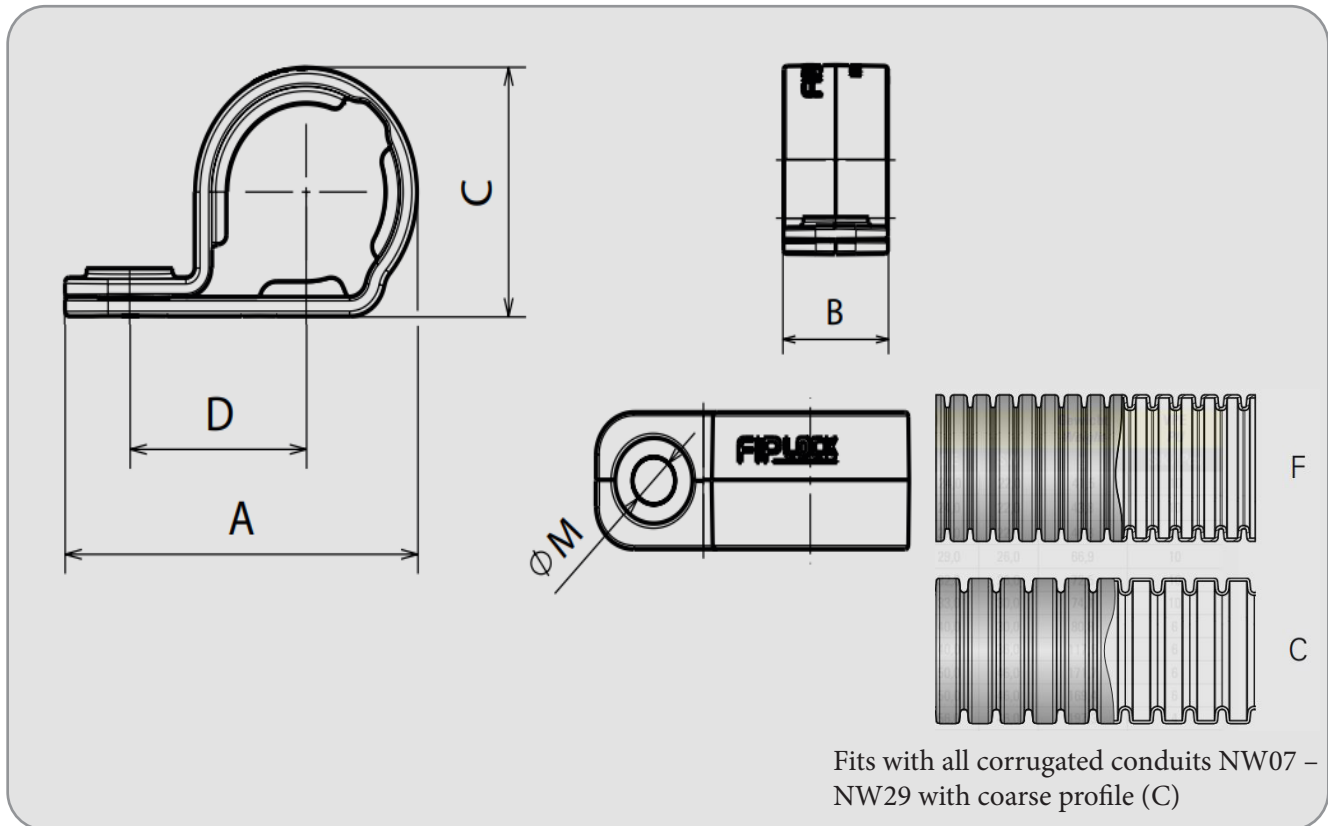
Different performances	Characteristics	Unit	Standards, Specifications	Remark
Application performances				
Temperature range	-50 bis / to +120 -58 bis / to +248	°C °F	IS FIP	-
Temperature (short-term)	150 (500 h); 160 (100 h) 302 (500 h); 320 (100 h)	°C °F	IS FIP	-
Material Performances				
Notched bar impact test	7 - 25	kJ/m2	ISO 180	-
System tightness				
IP rating	IP66/IP67/IP68/IP69 (IP69K)	-	IEC EN 60529	-
Fire safety performances				
Free from halogens and cadmium	Yes	-	-	-
Fire classification	V0	-	UL 94	-
Fire characteristic of the product	self-extinguishing	-	UL 1696	-
Oxygen index	>32	%	EN ISO 4589-2	-
Glow wire test	960 1760	°C °F	IEC 60695	-
Fire hazardous level	HL3 R22 HL3 R23	-	EN45545-2	-
Flame Spread Index	compliant	-	ASTM E162	NFPA 130
Smoke Density	compliant	-	ASTM E662	NFPA 130
Smoke Toxicity	compliant	-	BSS 7239/SMP 800-C	
Heat Release (Enthalpy)	19,4 (8265)	MJ/kg (BTU/lb)	ASTM E1354	50 kW/m2 heat flux
Spread of fire	non flame propagating	-	IEC EN 61386	-
Weathering performances				
UV and weathering performance	excellent	-	IS FIP	up to 40 years



Euro2000 SPA, Via dell' Artigianato, 27, 20083 Vigano MI, Italy.

+39 (02) 9084 3076, +39 (02) 9084 1808

info@euro2000-spa.it / website: www.euro2000-spa.it



FAMILY CODE	Code		Thread	Dimensions in mm					Weight	Pack
	Code Black	Code Grey		M	A	B	C	D	g	Pcs
PA FXC / CPPA	P20207B	P20207G	M4	4,5	27,4	13,0	14,4	13,7	1,7	10
	P20210B	P20210G	M4	4,5	30,2	13,0	17,2	15,1	2,0	10
	P20212B	P20212G	M4	4,5	33,2	13,0	20,2	16,6	2,3	10
	P20217B	P20217G	M5	5,5	40,7	16,0	25,7	20,4	3,7	10
	P20223B	P20223G	M5	5,5	49,1	16,0	34,1	24,6	5,9	6
	P20229B	P20229G	M6	6,6	56,3	19,0	40,3	28,2	8,1	6