

PA FIC Corrugated Conduit Clamp with Double Lug, Fixing Rib

EURO 2000



NFPA
130

HALOGEN
FREE



Areas of application



DESCRIPTION

FIPLOCK® PA FIC is a corrugated conduit clamp with a double lug can be used to fix our FIPLOCK® corrugated conduits in fine and coarse profiles in sizes NW23 - NW95. The internal rib engages positively with the corrugated conduit and offers optimal fixation in the axial direction. The parts made from specially modified polyamide 6 are flame-retardant and corrosion-free.

TECHNICAL SPECIFICATION

Different performances	Characteristics	Unit	Standards, Specifications	Remark
Application performances				
Temperature range	-50 bis / to +120 -58 bis / to +248	°C °F	IS FIP	-
Temperature (short-term)	150 (500 h); 160 (100 h) 302 (500 h); 320 (100 h)	°C °F	IS FIP	-
Material Performances				
Notched bar impact test	7 - 25	kJ/m2	ISO 180	-
System tightness				
IP rating	IP66/IP67/IP68/IP69 (IP69K)	-	IEC EN 60529	-
Fire safety performances				
Free from halogens and cadmium	Yes	-	-	-
Fire classification	V0	-	UL 94	-
Fire characteristic of the product	self-extinguishing	-	UL 1696	-
Oxygen index	>32	%	EN ISO 4589-2	-
Glow wire test	960 1760	°C °F	IEC 60695	-
Fire hazardous level	HL3 R22 HL3 R23	-	EN45545-2	-
Flame Spread Index	compliant	-	ASTM E162	NFPA 130
Smoke Density	compliant	-	ASTM E662	NFPA 130
Smoke Toxicity	compliant	-	BSS 7239/SMP 800-C	
Heat Release (Enthalpy)	19,4 (8265)	MJ/kg (BTU/lb)	ASTM E1354	50 kW/m2 heat flux
Spread of fire	non flame propagating	-	IEC EN 61386	-
Weathering performances				
UV and weathering performance	excellent	-	IS FIP	up to 40 years



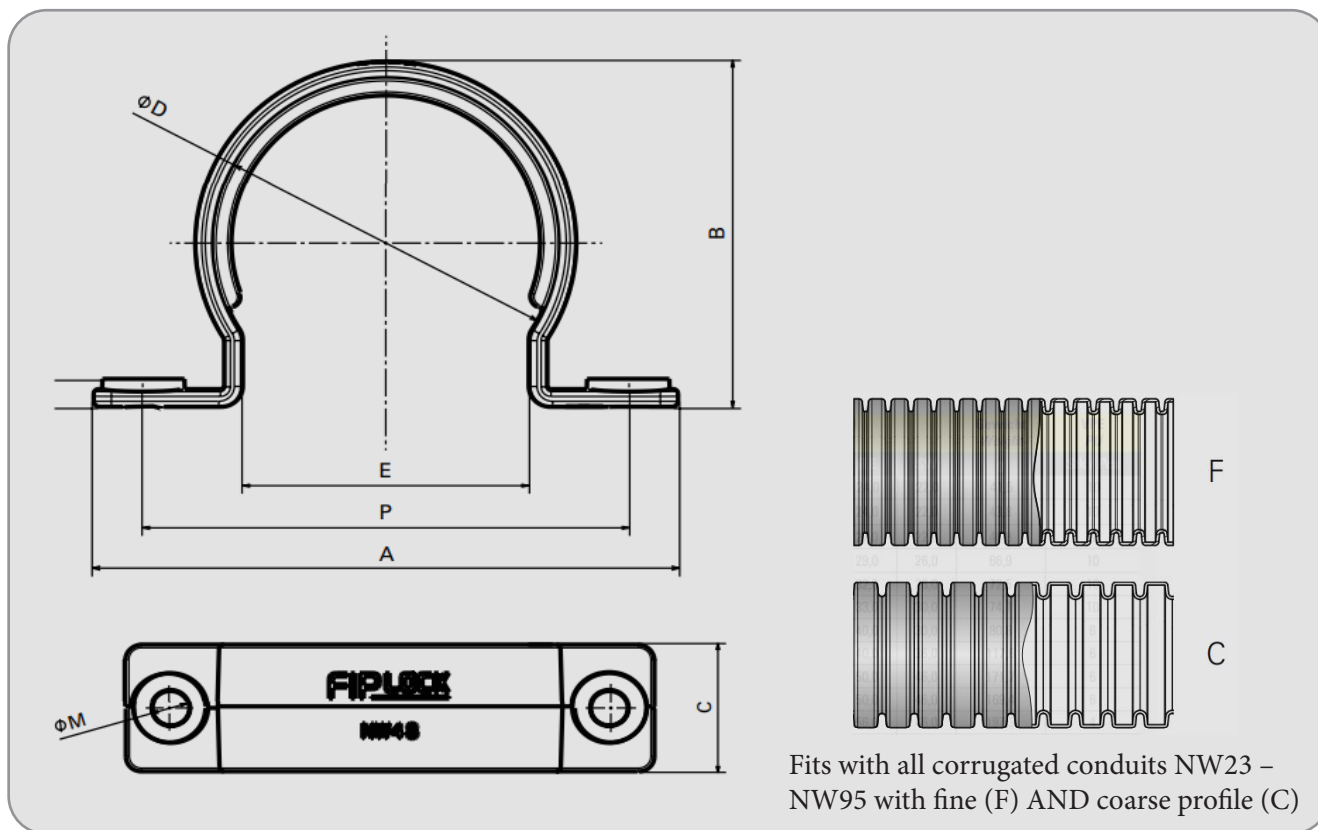
Euro2000 SPA, Via dell' Artigianato, 27, 20083 Vigano MI, Italy.

+39 (02) 9084 3076, +39 (02) 9084 1808

info@euro2000-spa.it / website: www.euro2000-spa.it

PA FIC Corrugated Conduit Clamp with Double Lug, Fixing Rib

EURO 2000



FAMILY CODE	Code		Thread	Dimensions in mm						Weight	Pack
	Code Black	Code Grey		M	A	B	C	D	P	g	Pcs
PA FIC / CUPA	P20323B	P20323G	M5	5,5	58,0	31,6	16,0	29,1	46,0	4,6	6
	P20329B	P20329G	M6	6,6	70,0	37,8	19,0	35,3	55,0	6,6	6
	P20336B	P20336G	M6	6,6	80,0	46,1	24,0	43,1	65,0	11,6	4
	P20348B	P20348G	M6	6,6	94,0	58,3	24,0	55,3	78,0	14,3	4
	P20356B	P20356G	M8	9,0	118,0	72,0	26,0	68,5	98,0	27,1	4
	P20370B	P20370G	M8	9,0	130,0	84,1	30,0	80,6	110,0	31,3	2
	P20395B	P20395G	M8	9,0	156,0	110,5	30,0	107,0	136,0	40,6	2

