

# CD EMV Locknut hexagon, brass nickel-plated, PG, EMV

# EURO 2000



**NFPA**  
**130**

**HALOGEN**  
**FREE**



## Areas of application



## DESCRIPTION

The hexagon locknut FIPSHIELD® CD EMV made out of brass nickel-plated is required wherever cabinets with a anodized, lacquered or powder-coated surface are used. By tightening this special locknut with a PG thread, the sharp edges cut the isolated coverage and ensure the contact.

## TECHNICAL SPECIFICATION

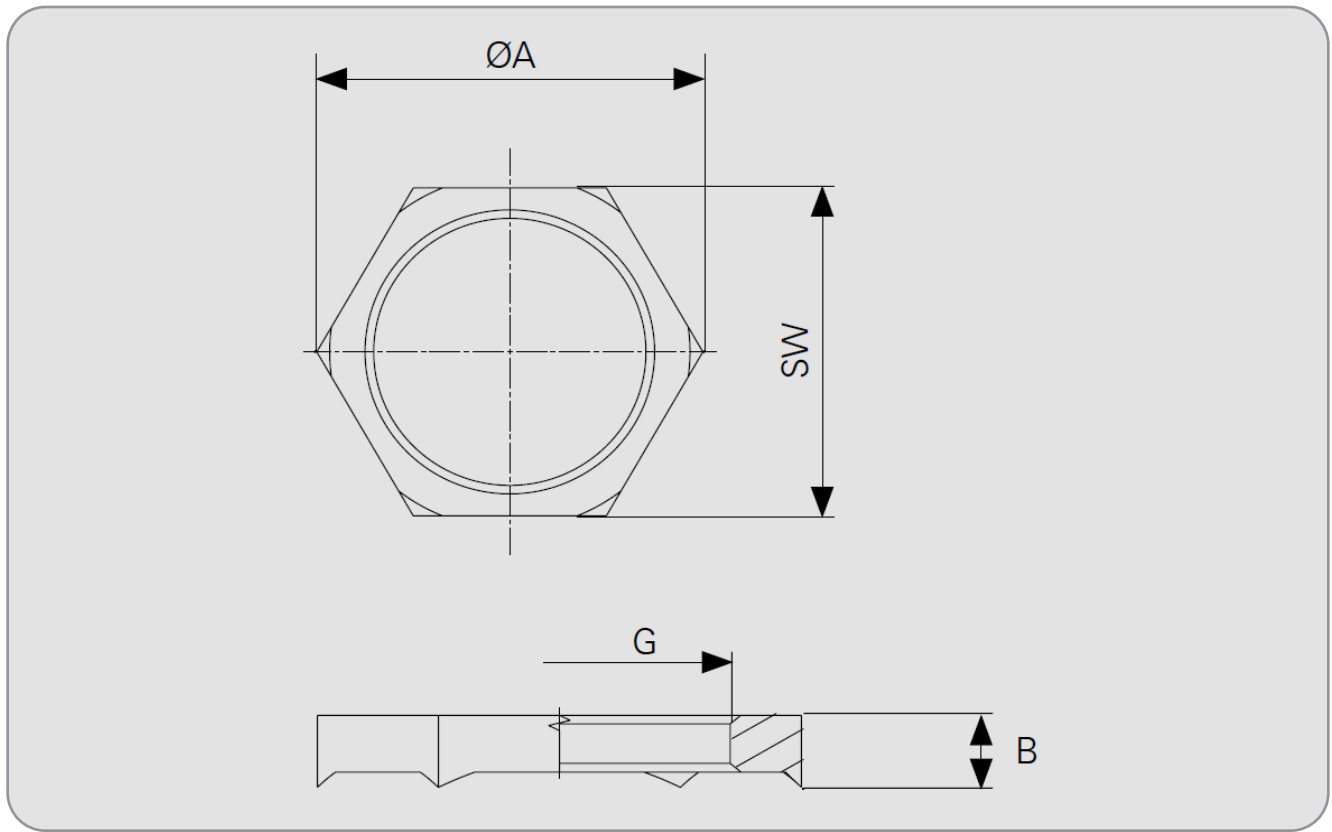
Different performances	Characteristics	Unit	Standards, Specifications	Remark
<b>Application performances</b>				
Temperature range	-60 bis / to +200 -76 bis / to +392	°C °F	IS FIP	-



Euro2000 SPA, Via dell' Artigianato, 27, 20083 Vigano MI, Italy.

+39 (02) 9084 3076, +39 (02) 9084 1808

info@euro2000-spa.it / website: [www.euro2000-spa.it](http://www.euro2000-spa.it)



Family Code	Code	Thread	Dimensions in mm			Weight	Pack
			SW	A	B	g	Pcs
CD-EMV / NTBN-PG- EMV	P58007	PG07	15	17,3	4,7	2,4	10
	P58009	PG09	18	20,8	4,7	3,3	10
	P58011	PG11	21	24,3	4,7	3,8	10
	P58013	PG13	23	26,6	4,7	4,6	10
	P58016	PG16	26	30,0	4,7	6,5	10
	P58021	PG21	32	37,0	5,2	9,6	10
	P58029	PG29	41	47,3	5,7	16,3	6
	P58036	PG36	51	58,9	6,5	25,3	6