

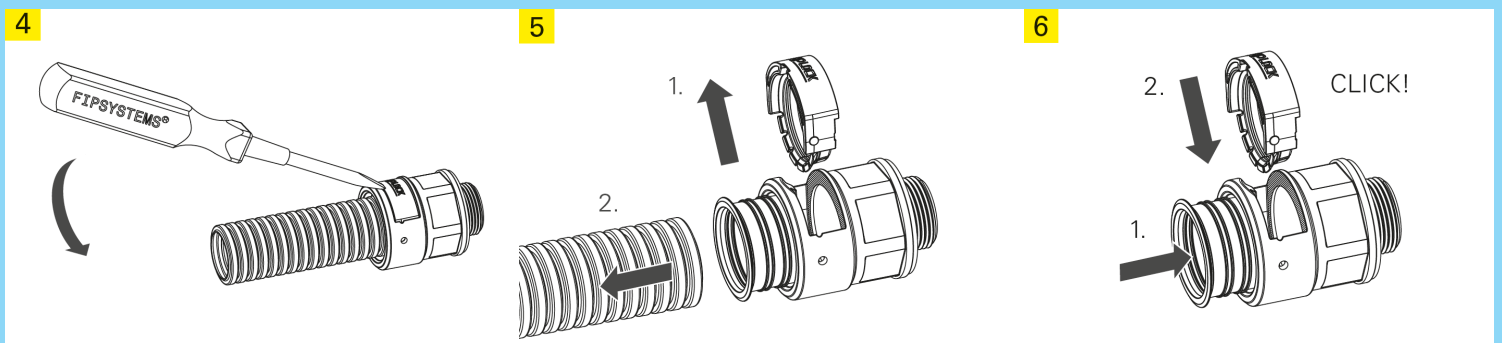
Components

- A: Corrugated conduit (cut in fold)
 - B: Conduit seal
 - C: O-lock clip
 - D: Conduit fitting
 - E: Thread sealing washer (optional O-ring for metal thread fittings)
- B, C, D are delivered pre-assembled.

Assembling

Push the conduit (A) with a slight twist into the pre-assembled fitting body (B, C, D). Optional water or lubricant at the conduit end or inside the conduit seal can simplify the assembling.

Fully inserted to the stop, a safe and reliable connection is ensured with high endurance and highest IP rating performance.



Re-opening and reuse of the fitting

Lift and release the O-Lock clip (C) by applying a screw driver in the slot of the O-Lock clip (C) and bending the same towards the conduit axis.

1. Fully pull-out the O-Lock clip (C) by hand.
2. Pull out the conduit (A) from the fitting (D).

1. Simply push the conduit seal (B) with a finger or a pin fully back into the fitting.
2. Re-apply the O-Lock clip (C) with a click into the foreseen position.
3. The fitting is ready for re-use. Back to

