

 CAVILAB <small>INDEPENDENT TESTING LABORATORY</small> <small>snc</small>	<h1>TEST REPORT</h1>	Piazza San Mauro, 15 20010 BUSCATE ITALY info@cavilab.it
--	----------------------	---

Laboratory Test Report n°: TR2021-004_Rev_1	Date: 26 th March 2021
---	-----------------------------------

Requested By:	TESEO SpA – EES CLEMESSEY Italy – EIFFAGE Group Corso Alexander Fleming 27 - 10040 Druento (TO) – Italy
Dates of Tests:	19 th March 2021

Test(s):	Screening Attenuation
----------	-----------------------

Sample(s) Description:

Sample ID	Description
S21004	Conduit type DMC-EMP – Customer type DMC 212 EMP with the following marking: "EURO 2000 S.P.A DMC 212 E.M.P LIQUID TIGHT CONDUIT CE LOTTO N032110B.082112B.G0121.0921EM* -LINEA2- MADE IN ITALY INDUMAT 04- 03-21 10:70"

Standard(s) Used:

Standard	Issue	Title
IEC 62153-4-4	2015-04	Metallic communication cable test methods – Part 4-4: Electromagnetic compatibility (EMC) – Test method for measuring of the screening attenuation a_s up to and above 3 GHz, triaxial method

Test Configuration

The measurement was carried out using the conduit as an outer conductor/screen of a coaxial system.

Laboratory Supervisor
Giovanni Gomasca



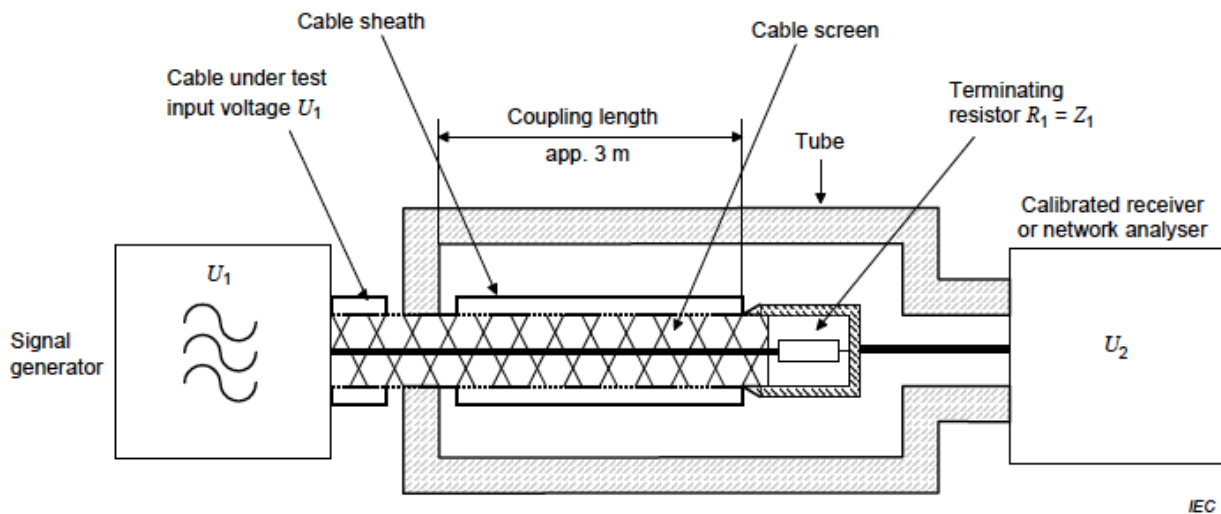
Procedure:

Measured Parameters

Screening Attenuation

The measurement of Screening Attenuation was carried out according to the IEC 62153-4-4 standard, Clause 5.2.1.

A core (insulated conductor) of an RG213 cable was inserted into the conduit to create a coaxial system where the conduit to be measured acted as the cable screen.



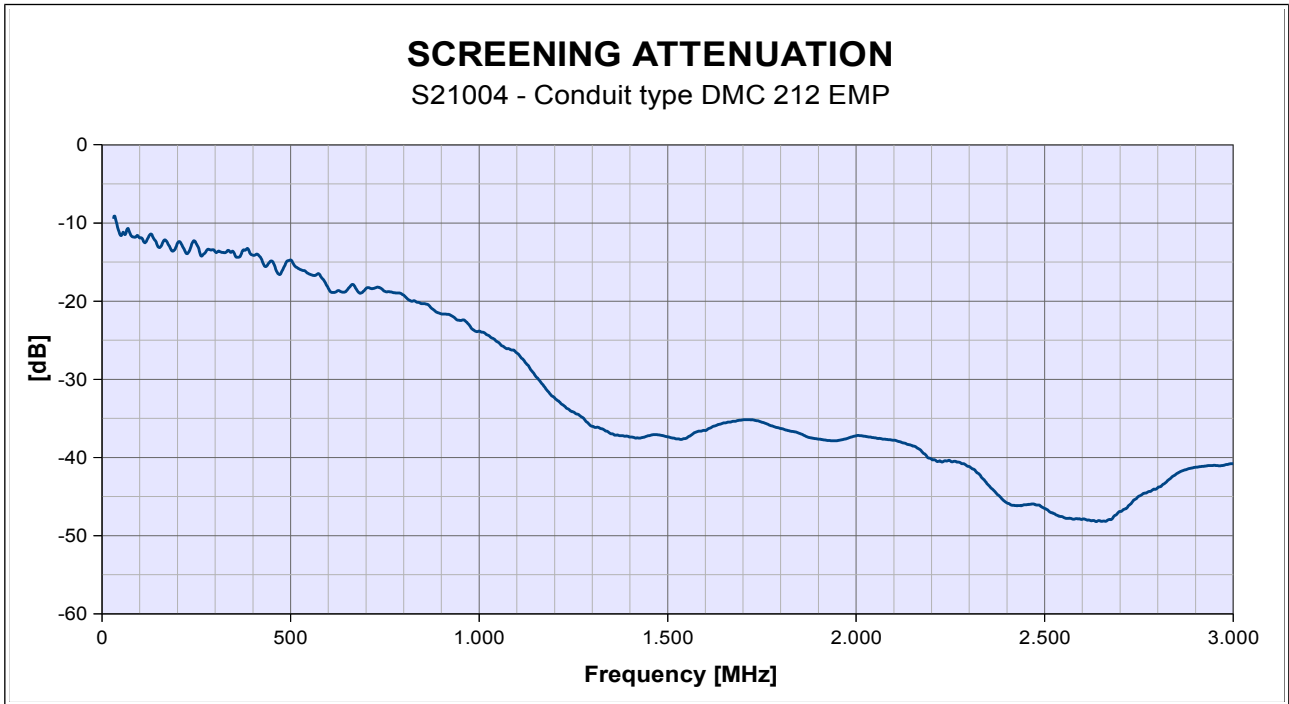
Expression of results

Screening Attenuation

The measured values of Screening attenuation were evaluated according to the IEC 62153-4-4 standard, Clause 5.4.

Test results

The test results are shown in the following pages.



INSTRUMENTATION

<i>Model</i>	<i>S/N</i>	<i>Manufacturer</i>	<i>Description</i>	<i>Calibration due</i>
HP 8753C	3214A02030	Hewlett Packard	Network analyzer	07/2023

CAVILAB snc

This Laboratory Test Report shall not be reproduced totally or in part except with written permission received from the Laboratory Manager